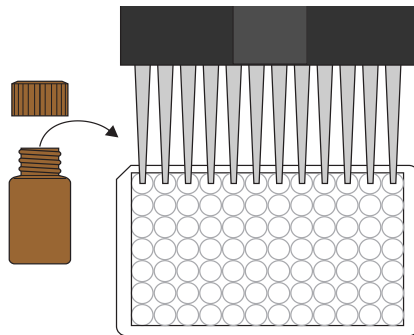


# Ivermectin/Abamectin ELISA Plate 5142B

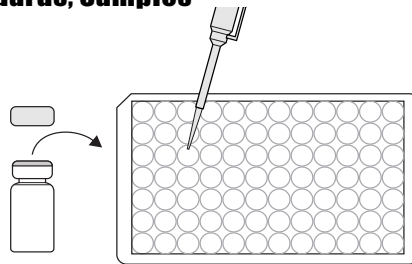
## 1. Addition of Enzyme Conjugate

Add 50  $\mu$ L of the Avermectins enzyme conjugate to the individual wells successively using a multi-channel pipette or a stepping pipette.



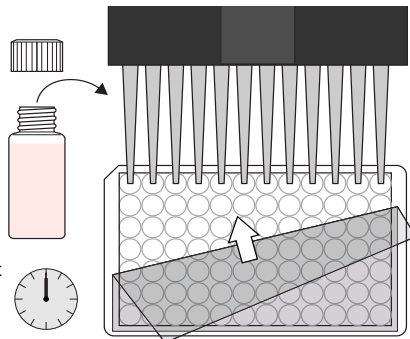
## 2. Addition of Standards, Samples

Add 50  $\mu$ L of the standard solutions, samples or sample extracts into the wells of the test strips according to the working scheme given. We recommend using duplicates or triplicates.



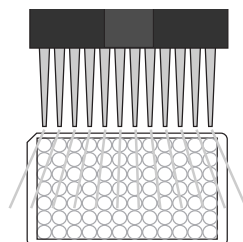
## 3. Addition of Antibody Solution

Add 50  $\mu$ L of the Avermectins antibody solution to the individual wells successively using a multi-channel pipette. Cover the wells with parafilm or tape and mix the contents by moving the strip holder in a rapid circular motion on the benchtop. Be careful not to spill contents. Incubate the strips for 60 minutes at room temperature.



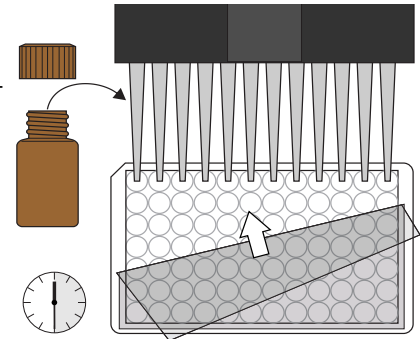
## 4. Washing of Plates

After incubation, remove the covering and vigorously shake the contents of the wells into a sink. Wash the strips four times with a multi-channel pipette or wash bottle using tap water. Please use at least 250  $\mu$ L of washing buffer for each well and each washing step. Remaining buffer in the wells should be removed by patting the plate dry on a stack of paper towels.



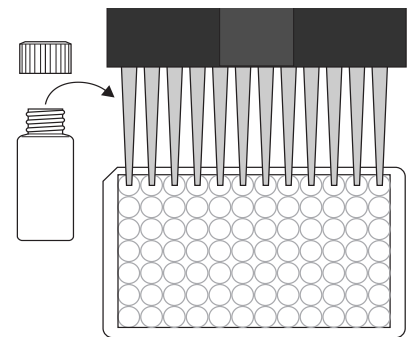
## 5. Addition of Substrate/Color Solution

Add 100  $\mu$ L of substrate/color solution to the individual wells successively using a multi-channel pipette or a stepping pipette. Cover the wells with parafilm or tape and mix the contents by moving the strip holder in a rapid circular motion on the benchtop. Be careful not to spill contents. Incubate the strips for 30 minutes at room temperature away from direct sunlight.



## 6. Addition of Stopping Solution

Add 100  $\mu$ L of stop solution to the wells, in the same sequence as for the substrate solution, using a multi-channel pipette or a stepping pipette.



## 7. Measurement of Color

Read the absorbance at 450 nm using a microplate ELISA reader within 15 minutes. Calculate results.

